

# Yaasa Desk Frame

Extended Original  
Operating Instructions

# YAASA DESK FRAME

The Yaasa Desk Frame is an electronically-adjustable sit-stand table (table) for home and office use.

The Yaasa Desk Frame with electronic height adjustment was, alongside common-used tabletops, tested to fulfil the requirements of safety, durability and stability according to EN 527-2:2016 + A1:2019. Yaasa Living AG accepts no liability for damages or injuries that may ensue from incorrect assembly or use of this table.

## APROPRIATE USE

The table may, in combination with a suitable tabletop, only be used as an adjustable desk (table) for changes between sitting and standing positions. The table may only be used indoors and in dry areas (offices or similar). Any other use of this product is not recommended and is performed at the user's own risk. Unless explicitly indicated in this manual, all functions relate to a full-assembled table and not to the table frame alone.

## SAFETY MEASURES, RESIDUAL RISK, AND DANGER NOTICES

### **CAUTION**



**SAFETY NOTICE:** Read all notices and instructions before the first use of the product. Pay attention to risks relating to burns, fires, electrical shock or other damages to people and property in order to minimize them. Save these instructions in the vicinity of the table for quick access, if required. Pass these safety instructions on to any subsequent users of the table. All persons who use the product or who are responsible for installation, service, or repair work, must follow these instructions carefully.



**ATTENTION:** Basic safety measures should be taken whenever using electronic devices. INAPPROPRIATE USE OR THE NEGLECT OF THESE INSTRUCTIONS AND NOTICES WHEN USING THE TABLE CAN LEAD TO SERIOUS INJURY OR PROPERTY DAMAGE.

**This appliance can be used by children from 8 years and above and people with reduced physical, sensory or mental capabilities or lack of experience and knowledge if they have been given supervision or instruction concerning the use of the appliance in a safe way and understand the hazards involved. Children under the age of 8**

must maintain a safe distance from the table, the control unit, and the buttons of the operational control.



The frame may not be loaded with more than 100 kg. The system may only be used continuously for a maximum of 2 minutes. After, the table must "rest" for 18 minutes before it can be operated again.

The Yaasa Desk Frame features a collision detection system (Intelligent System Protection, ISP). The ISP Function aims to reduce system damage and injuries through crushing.

The responsibility for the appropriate use of the product remains with the user.

Assembly of the table must be performed according to the instructions. Special caution must be taken during the movement of heavy parts and in proximity to any pinch or shearing point.

2 people are required to complete assembly of the table.

The height-adjustment function may only be used after the full and appropriate assembly of the table.

The table must never be used as a lifting aid for people.

The table's screw connections must be secured and checked in regular intervals.

The table and its components may not be changed, enhanced or rebuilt in any way. Do not use parts that are not recommended by the manufacturer.

Never open electrical components, housing, or covers. This entails the risk of electrical shock. Maintenance and repair work may only be performed by trained personnel. Disconnect all cables from the power outlet before cleaning and maintenance procedures.

While the table is being used, no one may stand or sit on the table, nor may they climb or lie underneath it. During reset processes there is a risk of crushing between the table legs and feet.

When the table moves upwards or downwards, you must maintain a safe distance in order to avoid collisions or crushing between the table and its surround objects or persons. The user requires an unobstructed view of the table and its surroundings in order to observe the movement of the table and to avoid collisions, injuries or damages while the table is in movement. Do not store objects under the desk that are taller than 56 cm. While operating the table, pay close attention to other people, as well as window frames, radiators, chairs, cabinets and other furniture.

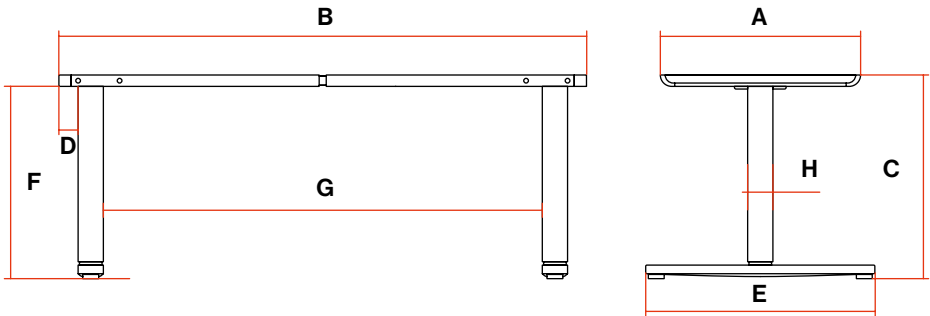
The power cord represents a trip hazard. Ensure that the cable routing accommodates the table's entire range of movement and is not obstructed. The cable must be kept away from heated surfaces. Ensure suitable cable routing for devices that are placed on the table itself.

Keep liquids away from the table and its electronic components.

**Do not use the table if:**

- Cables or plugs are damaged
- The table does not work as described in the instructions
- The table has fallen over or is otherwise damaged
- The table has become wet

# TECHNICAL DATA & PRODUCT DETAILS



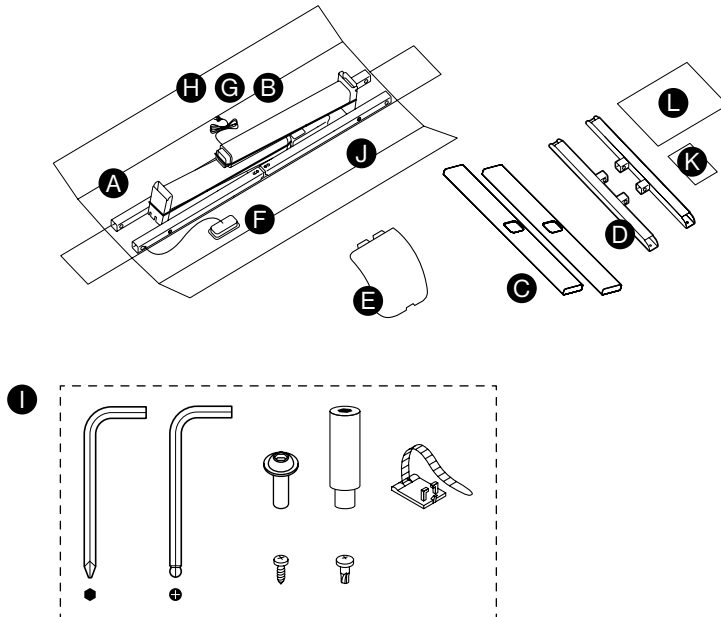
Size	Weight	A	B	C	D	E	F	G	H
1	23,9kg	56,9	118	60-126	6	66,5	56,5- 122,5	92,8	6,6
2	23,9kg	56,9	128	60-126	6	66,5	56,5- 122,5	102,8	6,6
3	23,9kg	56,9	138	60-126	6	66,5	56,5- 122,5	112,8	6,6
4	23,9kg	56,9	148	60-126	6	66,5	56,5- 122,5	122,8	6,6
5	23,9kg	56,9	158	60-126	6	66,5	56,5- 122,5	132,8	6,6
6	23,9kg	56,9	168	60-126	6	66,5	56,5- 122,5	142,8	6,6

A-H = cm

## EN

Frame:	Power-coated steel with steel feet. including 4 levelers with 10mm thread.
Adjustment interval:	60 to 126 cm
Adjustment Speed:	38 mm/s
Column Type:	3 Stage
Max. Load:	100 kg
Sound level:	L <sub>w,A,max</sub> = 63dB(A)
Table Frame and Packaging:	25 kg
Input:	230 V / 50 Hz / 2 A
Switching Cycles:	2 Minutes On 18 Minutes Off
Additional Function(s):	Collision Detection (ISP)
Plug type:	Euro
Operational control:	Up and down, with memory function and table height display.

# SCOPE OF DELIVERY



## Package 1 of 1

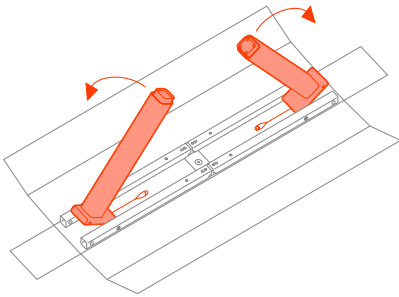
- A 1x Table Frame
- B 2x Table Leg
- C 2x Table Foot with Leveler
- D 2x Siderail
- E 4x Plastic Cover for Siderail
- F 1x Operational Control ("Handset")
- G 1x Mains Adapter
- H 1x Power Cable
- I 1x Screw kit with tools
- J 1x Self-adhesive cable clamp
- K 1x Instruction Manual ("Manual")
- L 1x Quick Start Guide ("Assembly Guide")

# ASSEMBLY INSTRUCTIONS

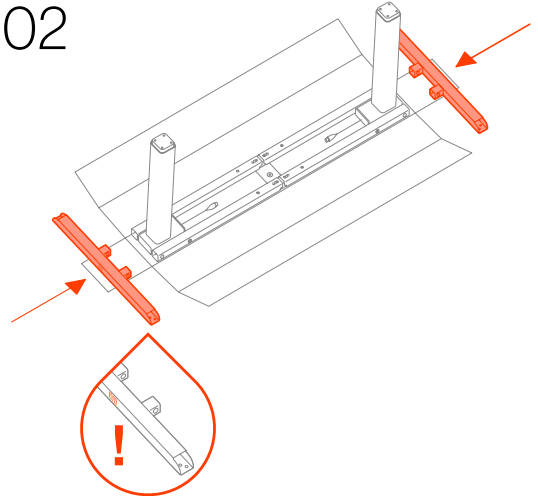


Assemble the table frame strictly according to the instructions. Assembly instructions are included on a separate sheet in the package.

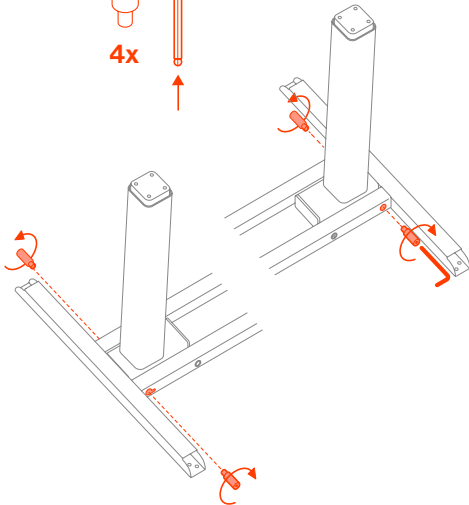
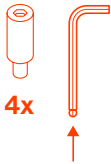
01



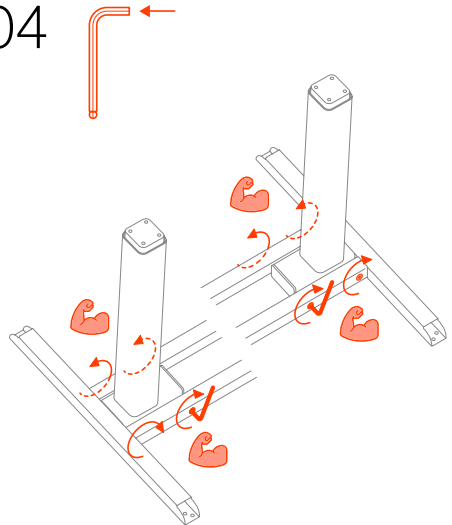
02



03

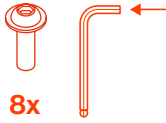


04



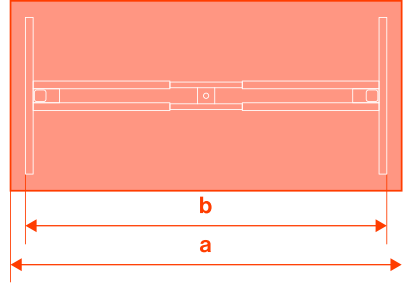
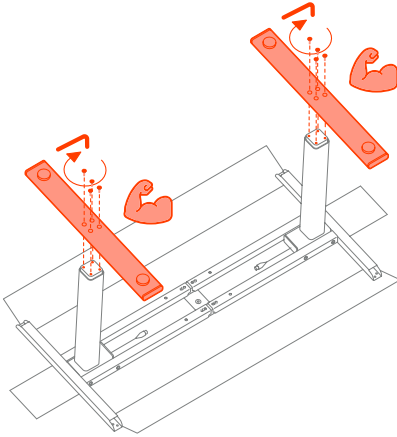


05



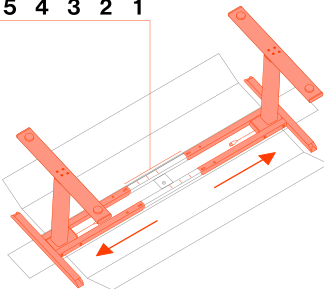
8x

06

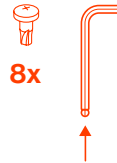


- 1 a = 120-130 cm (b = 118 cm)
- 2 a = 130-140 cm (b = 128 cm)
- 3 a = 140-150 cm (b = 138 cm)
- 4 a = 150-160 cm (b = 148 cm)
- 5 a = 160-170 cm (b = 158 cm)
- 6 a = 170-200 cm (b = 168 cm)

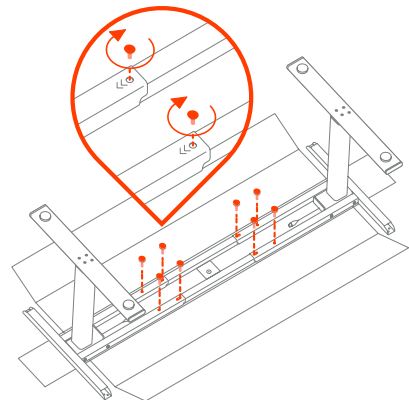
07



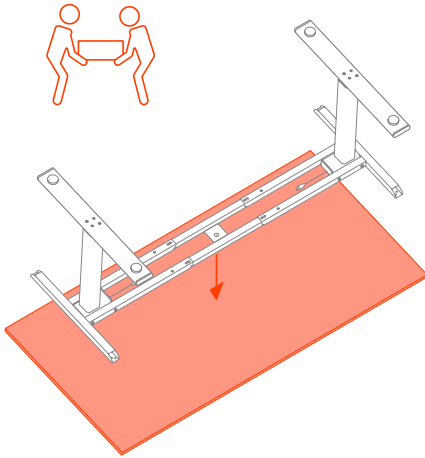
08



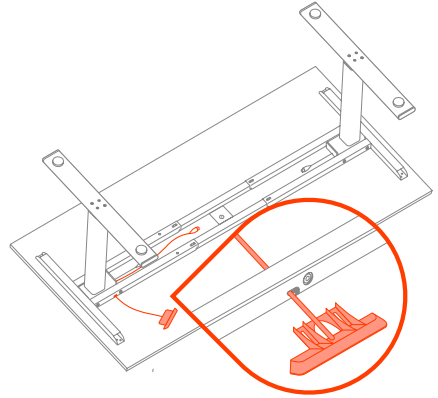
8x



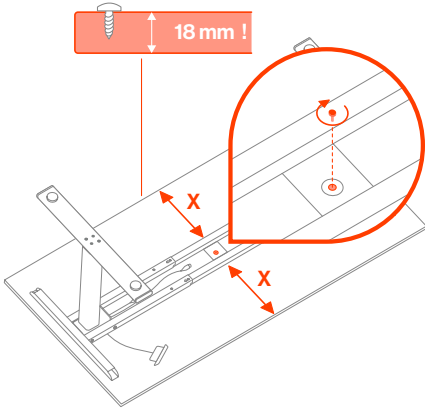
09



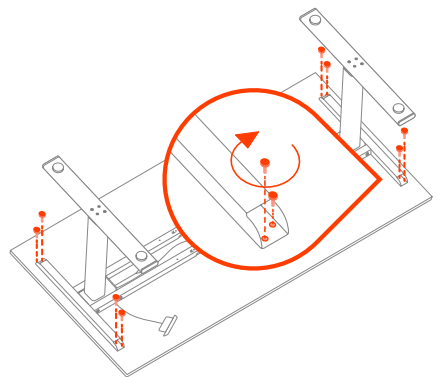
10



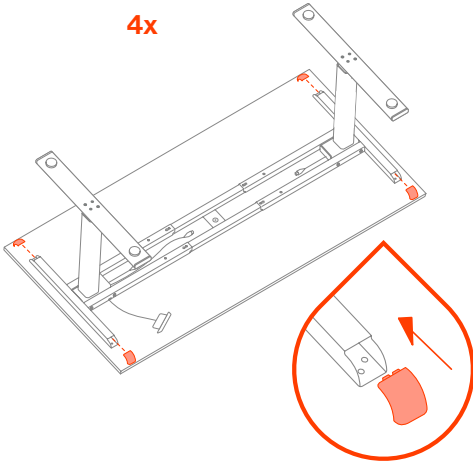
11




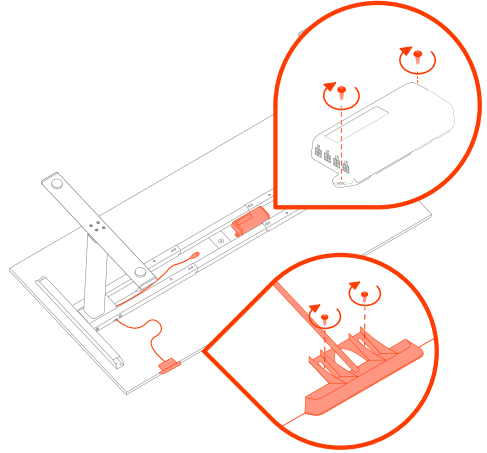
12



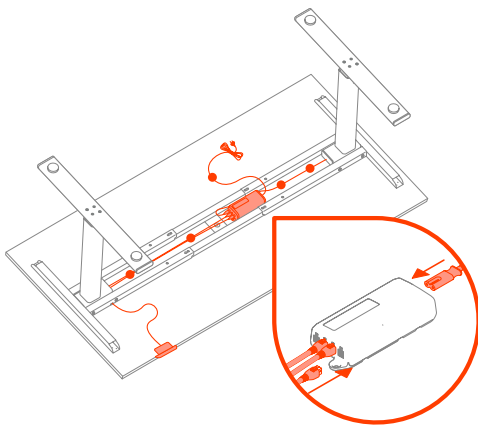
13   
4x



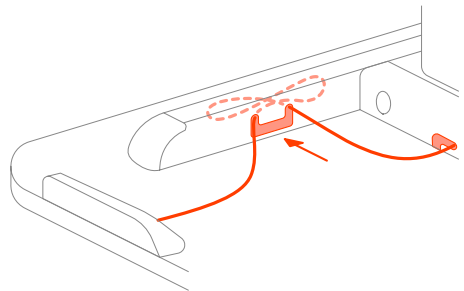
14   
4x



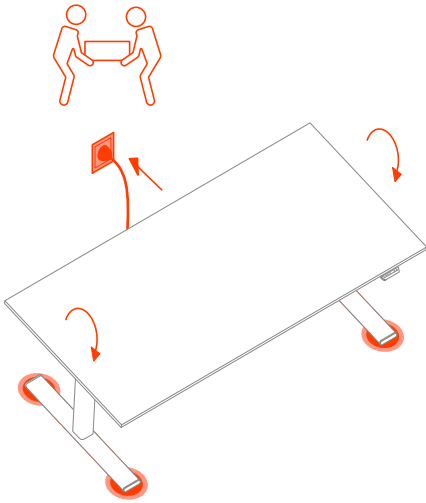
15   
5x



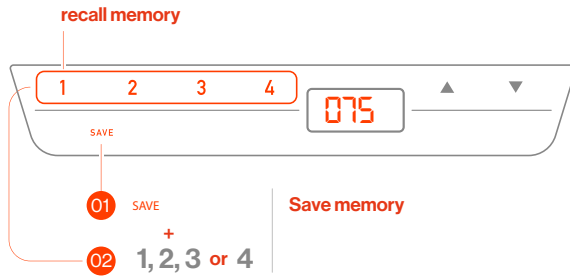
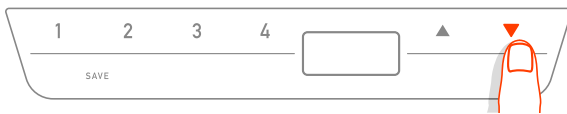
16



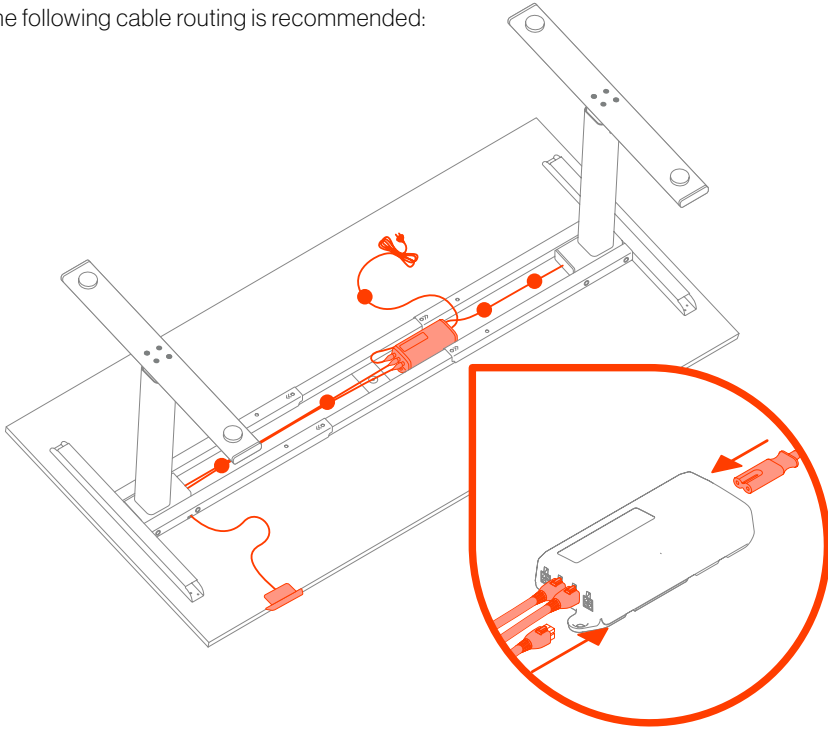
17



18



The following cable routing is recommended:



## SETUP AND USE OF THE TABLE

- 1** After the frame is assembled, the tabletop must be mounted according to the instructions. The provided screws should be used. The minimum tabletop thickness is 18 mm. Yaasa recommends the use of laminated chipboard or a solid-wood surface. Tabletops with a length of 120 cm to 200 cm and a depth of 70 cm to 80 cm are permitted. The maximum load on the table is 100 kg. The weight of the tabletop must be calculated in the maximum load. After assembly, the levelers on the feet must be adjusted so that the table stands evenly and is stable.
- 2** Position the table in the vicinity of an outlet and plug in the power cable. The table is now ready for use.

# FAQs AND TROUBLESHOOTING

Complete troubleshooting instructions and FAQs are available on [www.yaasa.eu](http://www.yaasa.eu).

## FUNCTIONS

### Changing the table height

Press the arrow buttons on the handset in order to move the table upwards or downwards.



The table will move as long as the button is pressed or until the minimum or maximum height has been reached.

### Duty cycle

The table may not be operated for more than 2 minutes continually. If this limit is exceeded, an 18-minute rest phase is triggered. After this pause, the table can be operated normally. Excessive use of the table may cause permanent damage to the electronic components and void the warranty.

### Complete Retraction

When the table is 3 cm before the lowest position, it will stop automatically. Pressing the "table down" button will prompt the table to move to its lowest position at a reduced speed.

### Saving a memory position

This function saves a set table height. Each memory position button on the handset can be used to store one position. To save a tabletop position, proceed as follows:

073  Move the table to the desired height (e.g. 73 cm).

 SAVE Press the Save button for a short time.

S - The display shows S-.

 2 Press the desired memory position button, e.g. 2.


S 2 The display shows S 2.

The desired height is now saved to the desired memory position button. To move the table to the saved position, press and hold the memory button until the table reaches the desired height and stops.

### Manual Reset

When the displayed table height no longer corresponds to the actual height of the table, a manual reset may be required in order to realign the system.

 Press the "**table down**" button.

 Hold the "**table down**" button until the legs have retracted completely. 3 cm before this point, the table will stop and go into "Complete Retraction" mode. Press and hold the "**table down**" button again, until the legs have retracted completely and the table stops.

 Press and hold the "**table down**" button.

After about 5 seconds, the table will move downwards again until the lowest reset position is reached.

Release the "**table down**" button. The adjustable table can now be used as normal.

### Collision detection system (Intelligent System Protection = ISP)

Intelligent System Protection (ISP) is the collision detection system of the installed drive system. It aims to reduce the risk of system damage. When an obstruction is in the table's range of movement and the table collides with it, the load change is recognized by the table system's components. If a load change is detected by the system, all drives stop immediately and move for a short time in the opposite direction.

### Factory Reset

To restore the Yaasa Desk Frame to its factory settings:



Hold the following buttons for 3 seconds:  
(Memory position buttons 1 and 2 and the "Table up" button)

S 4

The display shows S and a number.



Press the "table down" button  
until S 0 is shown on the display.

S 0

The display shows S0.



Press the Save button.



# CLEANING



Before cleaning or servicing, the table must be disconnected completely from the power outlet. Normal and moderate soiling of the tabletop can be cleaned with a dry paper towel, a clean cloth (dry or slightly damp) or with a non-abrasive sponge (slightly damp). Use common household cleaners or soaps. Stains can be avoided by cleaning the table with a small amount of warm water, then wiping with a paper or microfiber towel.

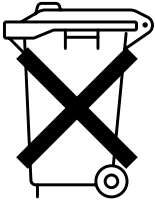
Do not use the following substances to clean the table:

- Scouring and abrasive agents, such as cleaning powders, scouring pads or steel wool.
- Polish, powder detergent, furniture cleaner, bleach
- Cleaning agents with strong acids or acid salts
- Steam cleaning devices

# MAINTENANCE

After about a week of use, check once again if all screws are still securely tightened, and, if necessary, tighten again with the appropriate tools.

# DISPOSAL



The product must be disposed of according to local regulations for recycling. The separation of product waste contributes to the reduction of incineration and landfill disposal and reduces potentially harmful effects on human health and the environment.

# RETURNS AND GUARANTEE

Right of exchange or return for up to 14 days after the receipt of goods.  
Warranty of 2 years (in cases of normal use).

# CONTACT

For any problems or questions regarding the product, please contact the online shop from which you bought the product by phone or email.

For all other information, recurring problems, or for further questions, please contact:

Yaasa Living AG  
St. Leonhardstrasse 45  
9001 St. Gallen, Switzerland

[www.yaasa.eu](http://www.yaasa.eu)  
[info@yaasa.com](mailto:info@yaasa.com)

© 2021 Yaasa Living AG

# EC/EU DECLARATION OF CONFORMITY



Manufacturer: Yaasa Living AG  
St. Leonhardstrasse 45  
9001 St. Gallen, Switzerland

Person authorized to compile the technical documents: Stephan Egger  
Yaasa Living AG, President of the Board of Directors  
St. Leonhardstrasse 45  
9001 St. Gallen, Switzerland

The manufacturer hereby declares, on its sole responsibility, that the following product:

Product name: Yaasa Desk Frame  
Product description: Electrically height-adjustable sit-stand desk  
for office and home use  
Type designation: Yaasa Desk Frame EU  
Serial number: see type plate  
Year of construction: 2021

## **fulfills all of the relevant provisions of the following directives:**

- Directive (2006/42/EC) on machinery (Machinery Directive); as per Annex I Section 1.5.1 of the Machinery Directive, the safety goals of Directive (2014/35/EU) regarding electrical equipment for use within certain voltage limits (Low-Voltage Directive) are also covered
- Directive (2014/30/EU) on electromagnetic compatibility (Electromagnetic Compatibility Directive)

## **In particular, the following harmonized standards and/or technical specifications were applied:**

- EN ISO 12100:2010
- EN 60335-1:2012 + A11:2014 + A13:2017
- EN 62233:2008
- EN 50663:2017
- EN 50581:2012
- EN 62479:2010
- EN 61000-6-1:2007
- EN 61000-6-3:2007 + A1:2011
- EN 61000-6-2:2005
- EN 61000-3-2:2014
- EN 61000-3-3:2013

Complete technical documentation is available. Operating instructions for the machines have been provided in the original version.

It is hereby confirmed that the abovementioned products correspond to the stated EC/EU directives. This declaration shall become invalid if the products are reworked or modified without our permission.



Yaasa Living AG  
St. Leonhardstrasse 45  
CH-9000 St.Gallen

[www.yaasa.de](http://www.yaasa.de)  
[www.yaasa.eu](http://www.yaasa.eu)